

# ÇUKUROVA

## BACKHOE LOADERS 883 - 885

“ Embodiment of Power...”



### Engine

	TIER II	TIER III
Make	PERKINS	
Model	1104C - 44T	1104D - 44TA
Type	4 Stroke Diesel Turbocharged	
Rated Power	100 hp / 74,5 kW	
Rated Speed	2200 rpm	
Displacement	4,4 L.	
Bore and Stroke	105 x 127 mm	
No of Cylinders	4	
Max. Torque	408 Nm	410 Nm
Cooling	Water Cooled with Engine Oil Cooler	

### Electrical System

Battery	12/120 V/Ah
Starter	3 kW

### Drive Train

#### Transmission:

Make	ZF
Type	Powershift
Transmission Disconnect (883)	With brake system
Transmission Disconnect (885)	With push button and brake system

### Travel Speeds

1st (forward/reverse)	6,50 / 7,00 km/h
2nd (forward/reverse)	11,00 / 12,00 km/h
3rd (forward/reverse)	26,00 / 30,00 km/h
4th (forward/reverse)	40,00 km/h

### Axles:

#### ZF Front Axle

- » Ease of operation with hydrostatic steering system even under high load conditions.
- » Limited slip differential.
- » 20° total oscillation on front axle.
- » 52 degrees steering angle for perfect maneuverability.

#### ZF Rear Axle

- » High input torque with outboard planetary design.
- » Electro-hydraulic operated differential %100 locking acts on rear axle.
- » Self adjusting high torque internal wet multi disc service brake.

### Hydraulic System

- » Hydraulic speed control system.
- » Bolt type cylinder design with all sealed pins and bushings for easy maintenance and long life.
- » Cushioned Swing and Boom provides maximum operator comfort for fast and smooth trenching.

System Type	o-center
Hydraulic Pump	Tandem gear
Max. Flow	90 + 64 l/min
Max. Press.	220 bar
Hydraulic Oil Filter	Full flow filter in return line with integrated fine filter area
Hydraulic Oil Cooler	Hydraulic and transmission oil cooler

### Hydraulic Controls

	883	885
Backhoe Controls	Mechanical control levers	Hydraulic joystick controls
Loader Control	Mechanical control lever	Hydraulic joystick control

### Brakes

- » Hydraulically foot operated service brake two pedals acted on four wheels.

2 Wheel / 4 Wheel	2 Wheel
Service Type	Hydraulic wet multi-disc
Parking Type	Mechanical control on rear axle



# BACKHOE LOADERS 883 - 885

## Steering

Steering Type	2 Wheel	
Power Steering	Hydrostatic	

Turning Circle (Without Brakes)                      883                      885

Out. Front Tire Clearance	9500 mm	12.170 mm
Out.Loader Bucket Clearance	12.320 mm	14.600 mm

## Backhoe Attachment

Max. Bucket Tearout Retract	59,1kN	
-----------------------------	--------	--

## Dipper Tearout

Retracted	31,8 kN	
Extended	22,4 kN	

## Loader Attachment

	883	885
Bucket Capacity	1,1 m <sup>3</sup>	1,1 m <sup>3</sup>
Breakout Force Lift	60,5 kN	56,1 kN
Breakout Force Shovel Max.	81,5 kN	81,6 kN
Shovel Width	2280 mm	2280 mm
Lift to Full Height	3,725 kg	3,440 kg

## Tires

	883	885
Front 4WD	12,5/80-18	14,5/20
Rear 4WD	16,9-28	16,9-28

## Weights

883 - Operating Weight	7800-8750 Kg.	
885 - Operating Weight	8000-8950 Kg.	

- Illustrations and data may differ from standard equipment.
- Specifications are subject to change without notice.
- See your ÇUKUROVA dealer for available options.

## Cab

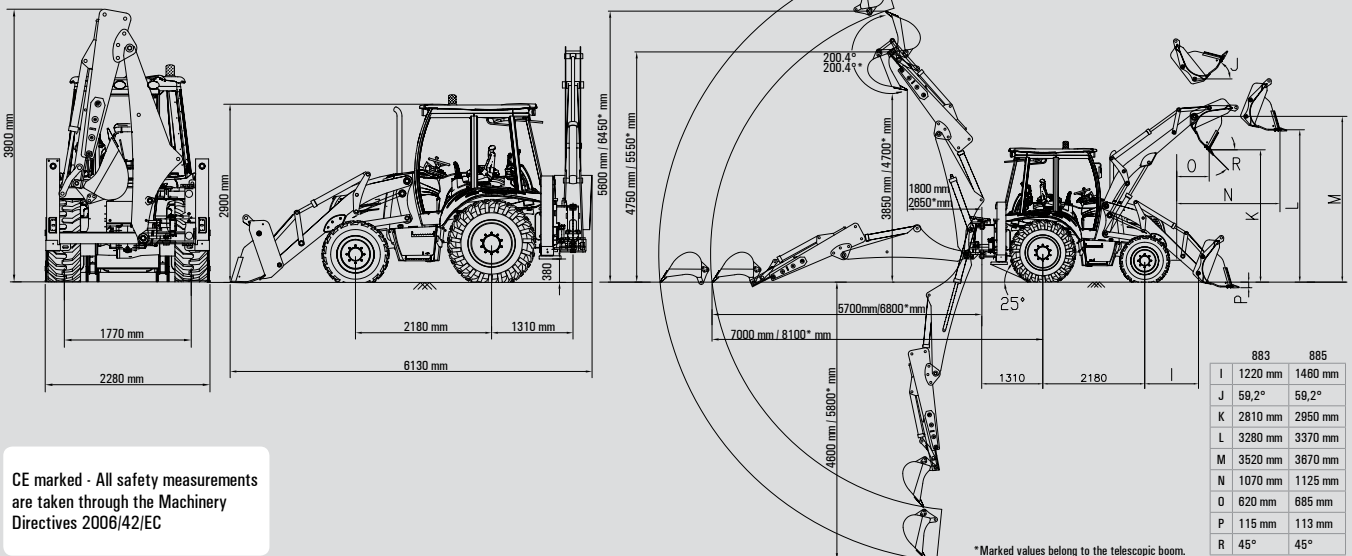
- » Specially designed ROPS/FOPS cab provides perfect operating comfort, excellent visibility, and reliability.
- » Full-opening of rear side windows, partial and full-opening of the doors provide superior fresh air circulation in the cab, tinted safety glass improves visibility and sun visor protects operator against strong sunlight and ensures clear vision.
- » Radio / CD Player as standard.



## Capacities

	Liters
Engine Oil	8,4
Cooling System	25
Fuel Tank	140
Hydraulic Tank	75
Hydraulic System	130
Front Axle	7,8
Rear Axle	16
Brake Oil	0,4

## Çukurova 883-885



# ÇUKUROVA

ÇUKUROVA MAKİNA İMALAT ve TİCARET A.Ş.  
 Şahin Mah. Sait Polat Blv. No :322 / A Tarsus-MERSİN  
 Tel : +90 324 616 26 78 Fax : +90 324 616 32 20  
 www.cumitas.com info@cumitas.com

# ÇUKUROVA